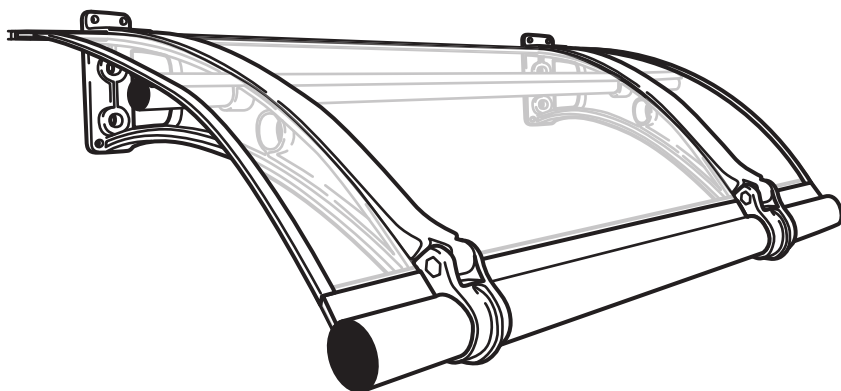


# CANOFIX®

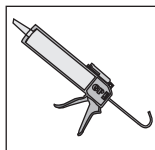
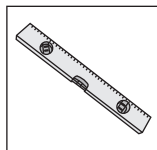
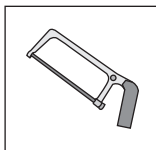
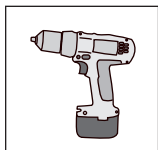
BUILD IT YOUR WAY.

*Eco Friendly Canopy / Awning Professional*

## Installation Manual

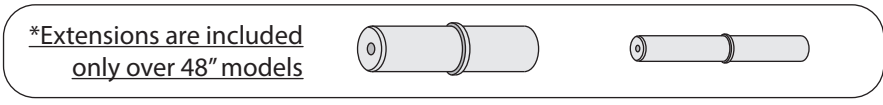
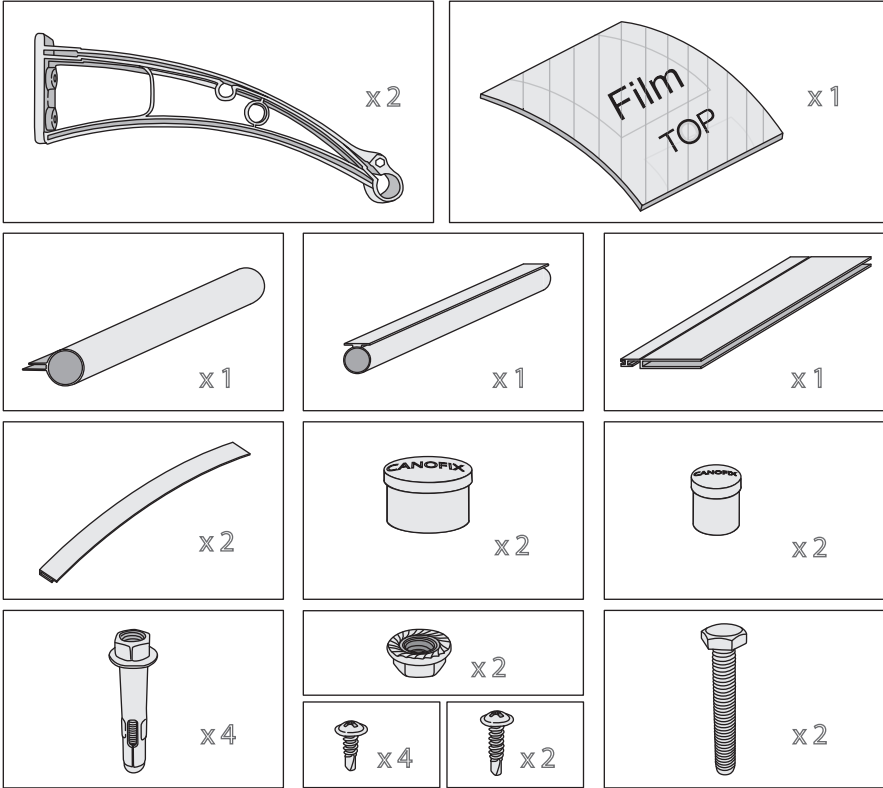


### \*Required Tools



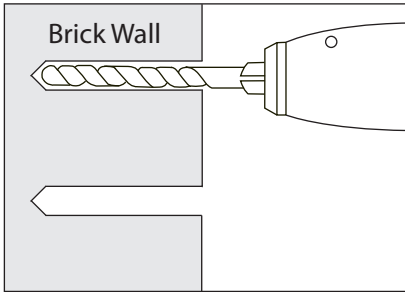
# Assembly Contents

\*Note : You will receive more parts if you ordered over 40" model



**Attention:**  
 You are solely responsible for determining whether the handling, storage, assembly, installation or use of this product is safe and appropriate in any location or for any given application. Kims Group Inc. is not responsible for any damages or injury to you, any other person or any property resulting from the improper handling, storage, installation, assembly or use of this product, or the failure to follow Kims Group Inc. written instructions regarding the handling, storage, installation, assembly and use of this product. This product is intended for normal residential use only. Do not use this product for any application that is not recommended in these instructions or building codes in effect in location where this product will be used. Always take care and use appropriate safety equipment (including eye protection) when assembling or installing this product.

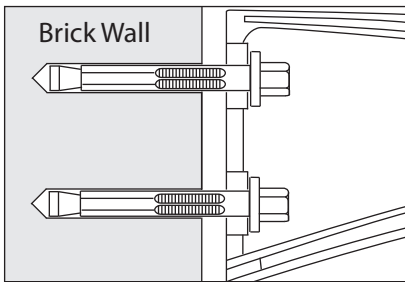
## How to use Anchor Bolt



1. Use 1/2" hammer drill bit to drill through the brick.

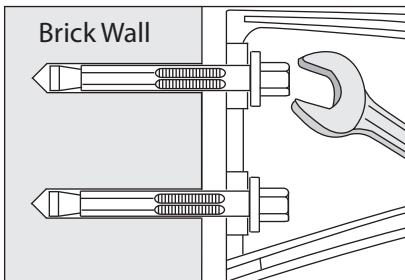
Drill hole to any depth exceeding minimum embedment.

If you are using bolts not provided by the distributor, please use the correct drill bit accordingly.



2. Insert the anchor bolt onto the bracket into the hole, so that washer or head is flush with materials to be fastened.

\*DO NOT unscrew the head. Insert it as is. If it is stiff, use hammer to insert.



3. Expand anchor by tightening the nut.

# 1 Anchor the Brackets



Use anchor bolt on brick wall.  
Or use wood screw (not included) on other surfaces such as wooden wall, studs behind sidings, etc.

Recommended  
1~3 inch space

Total width of Canofix Awning

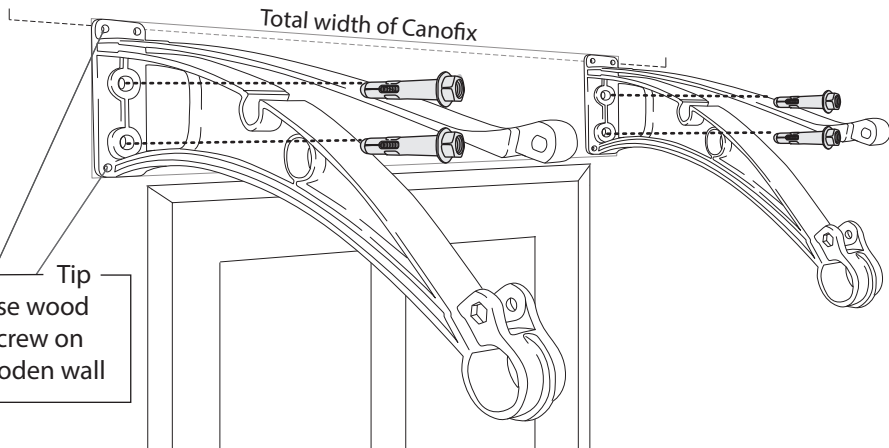
Tip  
Use leveler to  
align brackets



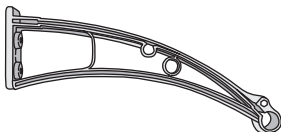
Follow the instruction on page 02, how to use anchor bolt

Total width of Canofix

Tip  
Use wood  
screw on  
wooden wall



Use the following

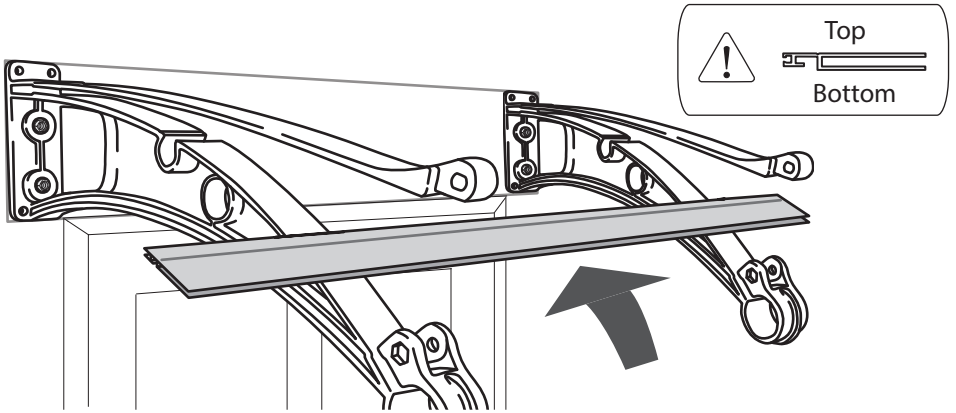


x 2

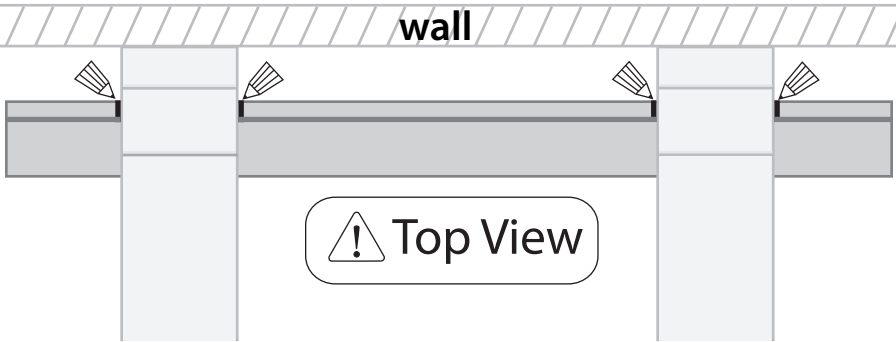


x 4

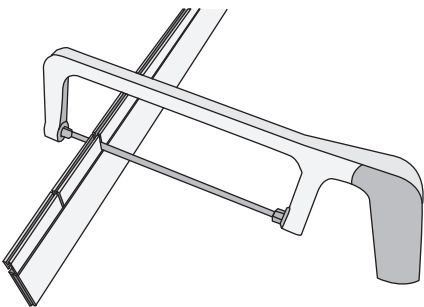
2 Insert the base clip frame fully



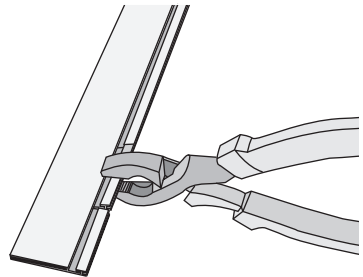
3 Mark the base clip frame to cut with pen



4 Cut the mark with saw



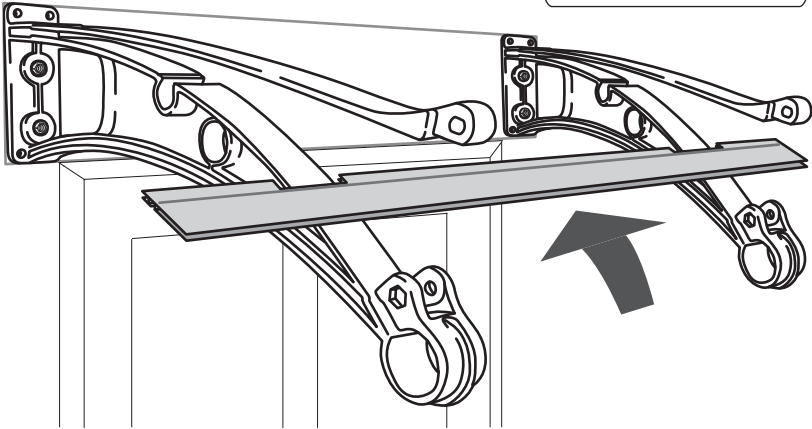
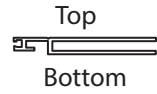
5 Break the part between marks



6 Insert the base clip frame fully



Insert fully against the wall



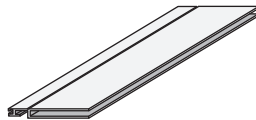
Insert fully against the wall

wall

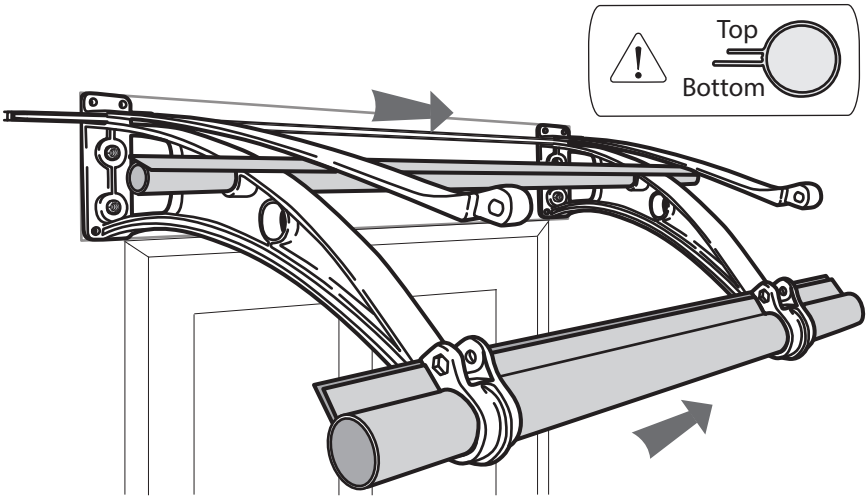


Top View

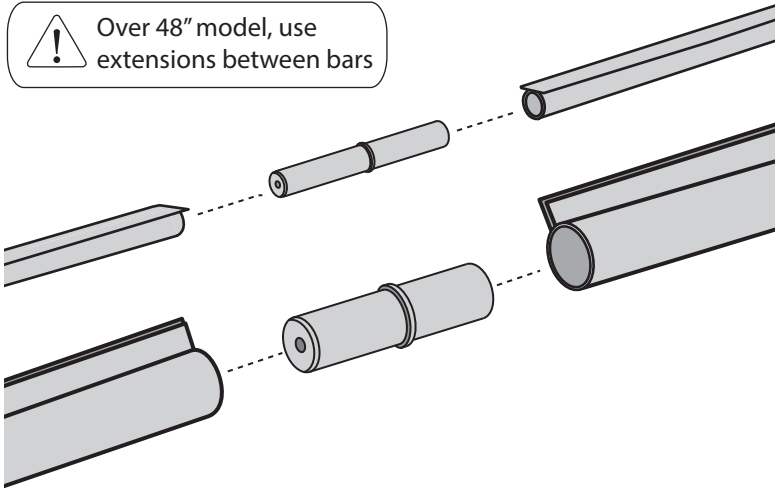
Use the following



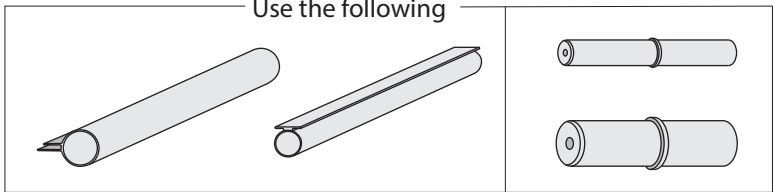
7 Insert aluminum bars



! Over 48" model, use extensions between bars



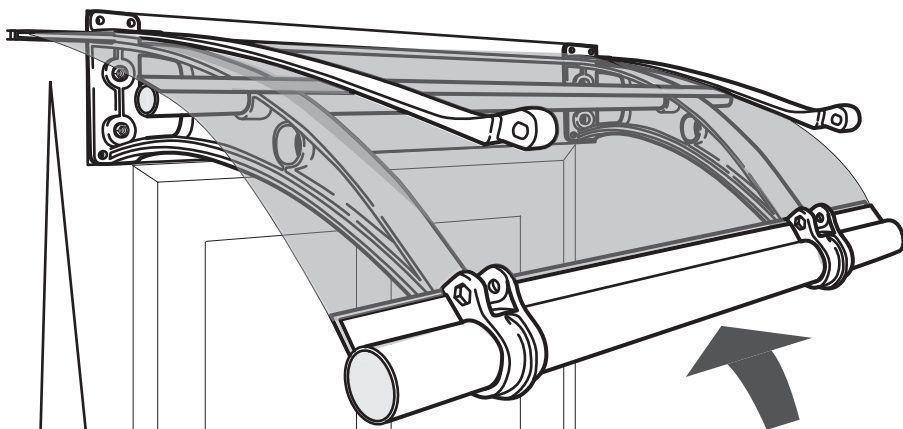
Use the following



## 8 Insert the Polycarbonate Panel



**Remove** the film on Polycarbonate sheet before insert



**STEP 1**

△side view

**STEP 2**

△side view

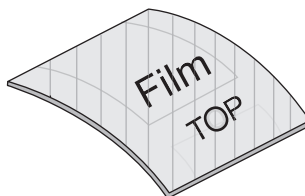


**Remove** the film on Polycarbonate sheet before insert



The transparent film side should face the bottom

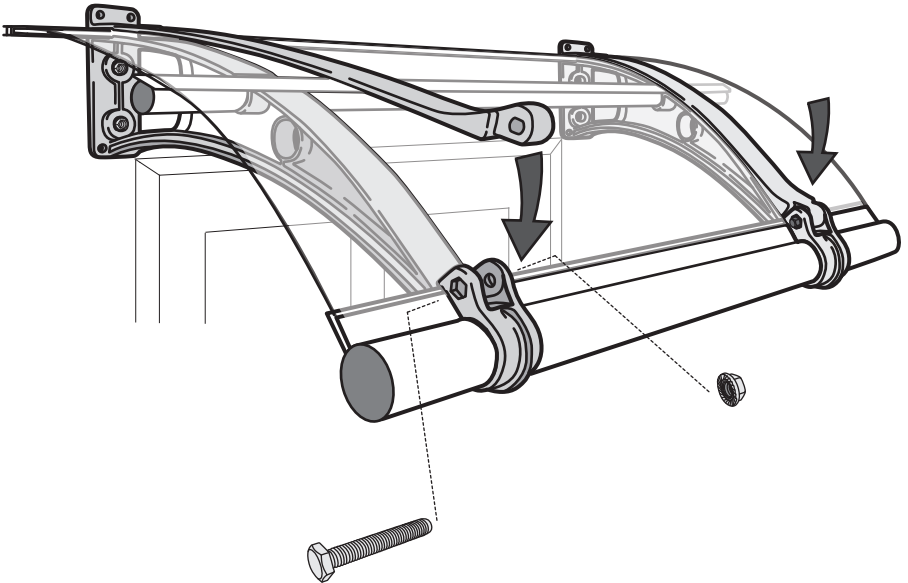
Use the following



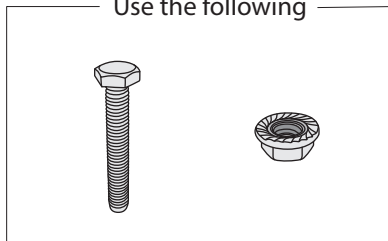


9 Close the brackets

⚠ Align the Polycarbonate sheet and bars **before** bolting brackets



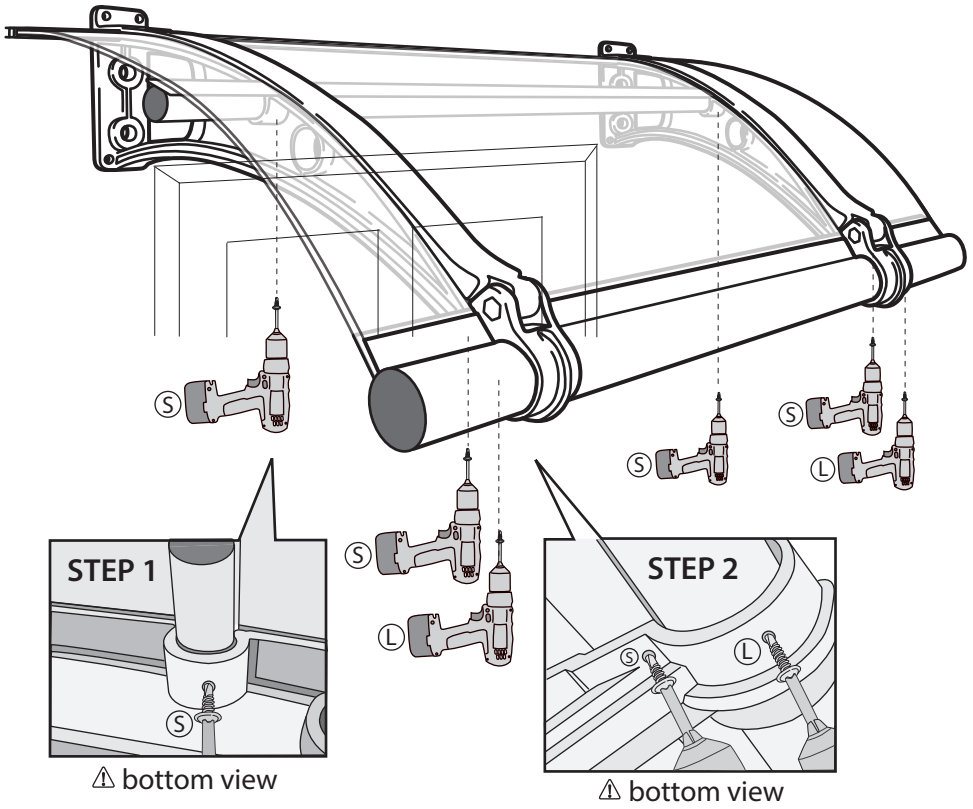
Use the following



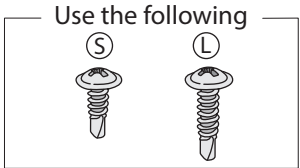
# 10 Bolt on Bracket to hold bars and Polycarbonate Sheet

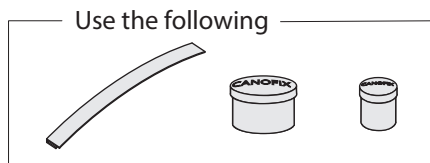
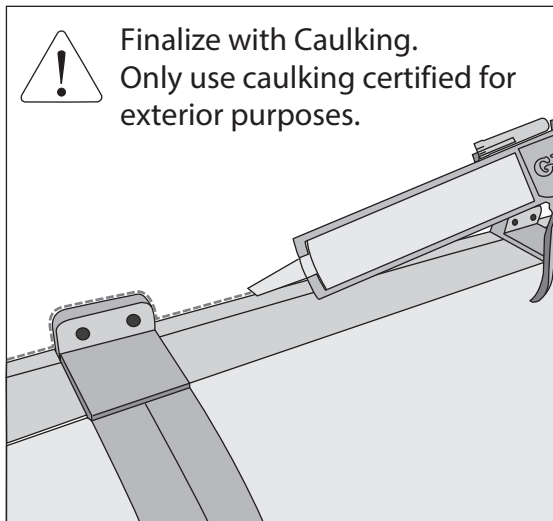
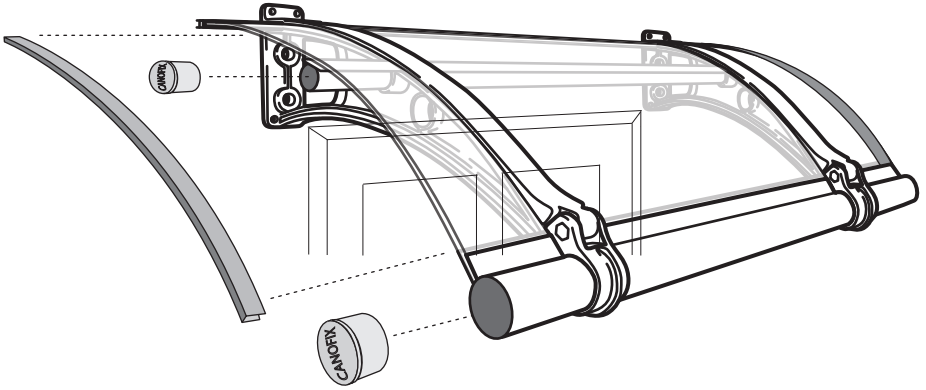
⚠ Straighten the Polycarbonate Panel and bars **before** bolting the brackets

**Tip**  
Using drill/driver, screw the bracket to the support bars



⚠ You won't need to use all screws in the package as extras are provided.





Canada Inc.  
**CANOFIX**®

address : #13-320 Don Park Road,  
Markham, L3R 1J4 ON,  
Canada  
email : [info@canofix.ca](mailto:info@canofix.ca)  
phone : 1-289-800-0171